

# MIRATEC®

Treated Exterior Composite TRIM  
**BORN TO BE BADDEST.**  
*Fastritec*

# APPLICATION INSTRUCTIONS

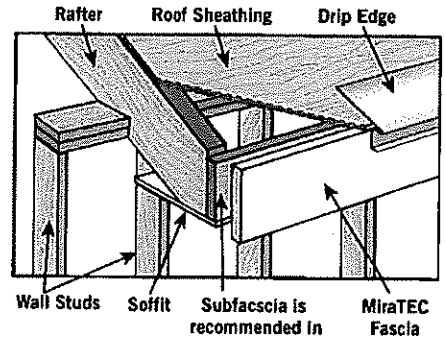
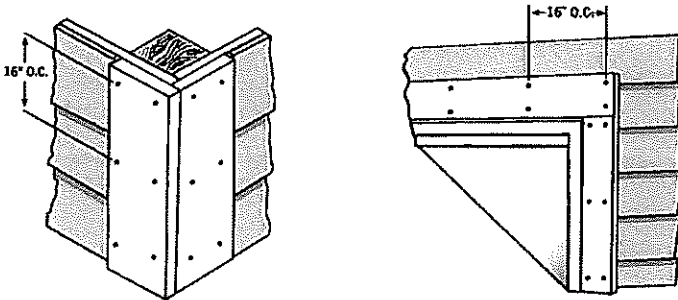
**GENERAL INFORMATION:** MiraTEC was conceived and engineered to resist moisture, rot and termites, so it is perfect for exterior non-structural applications. It handles like wood and is a reversible product with a clear, cedar wood grain texture on one side and a smooth surface on the other. Plus MiraTEC is the first and only wood composite trim to earn an evaluation report (ESR-3043) from ICC-ES. Before starting any work, consult all local building codes and follow where applicable when installing MiraTEC.

## CUTTING:

Use a fine-tooth hand saw or power saw with a combination blade. Cut into the exposed face of the material. Carbide-tipped blades are recommended.

## FASTENING REQUIREMENTS:

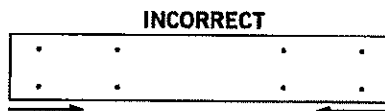
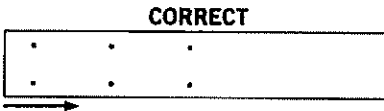
MiraTEC trim is a non-structural decorative trim product and should not be used where structural lumber properties are required. MiraTEC trim is designed to be applied to structural framing, sheathing and other materials.



\* Note: Nail at least 1/2" from the edge. Do not nail into the edges of MiraTEC trim. For 4/4 and 5/4 fascia and soffit applications, MiraTEC trim can be fastened directly to the rafter ends, double nailed a maximum of 24" on center. For 5/8" fascia and soffit applications, MiraTEC trim must have a sub-fascia and be nailed 16" on center to the rafter ends or sub-fascia. For all other horizontal and vertical applications, double nail 16" on center, falling on the studs.

Fasten MiraTEC trim from one end to the other end.

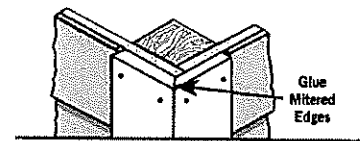
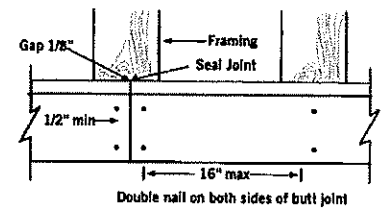
DO NOT nail toward the center from both ends.



## BUTT JOINTS:

All joints must fall over a framing member. MiraTEC trim can be mitered, scarfed, or beveled as required. For runs less than 30 feet in length, butt joints should lightly touch. For runs over 30 feet in length, space all butt and scarf joints 1/8" apart and apply sealant into the full depth of the 1/8" joint. Double nail all joints on both sides as noted in the diagram.

When mitering for column wraps or corner boards, JELD-WEN, inc. recommends gluing the edges of the trim to maintain a tight joint. JELD-WEN, inc. recommends a high quality exterior grade yellow carpenters glue or high quality polyurethane adhesive. Lightly ease the edge of the finished corner with 220 grit sand paper for best paint adhesion.



## FASTENERS:

Always use fasteners appropriate to the style of construction where the trim is installed. Fasteners must be equal or better in performance (such as nail withdrawal, bending strength and corrosion resistance) to 6d or 8d 16 gauge finish nails or headed nails, long enough to penetrate 1-1/4" into structural wood studs or studs and structural sheathing material. Use nails with corrosive resistance equivalent to hot dipped galvanized nails. For buildings utilizing steel studs, use ET&F fasteners: AST-075 for 4/4 MiraTEC and AST-100 for 5/4 MiraTEC. For installations near oceans, large bodies of water or in high humidity climates, JELD-WEN, inc. recommends using stainless steel fasteners on MiraTEC trim. For these installations, do not use electro-galvanized fasteners, due to poor long term rust resistance.

Power or pneumatic nailing systems may be used. Visit [www.miratectrim.com](http://www.miratectrim.com) for information on air pressure settings on a variety of pneumatic nailers. Tapered or bugle head fasteners are permitted when the heads are properly sealed from moisture.

Nail heads, or any other dents, can be filled with exterior grade spackling putty specifically designed for filling nail holes. Allow putty to dry, sand smooth with 100 grit sandpaper and spot prime before painting. Over time, spackling putty may need to be replaced or touched up. For the best aesthetic appearance when using the smooth side of MiraTEC trim, additional work is required. The nails should be set flush or slightly countersunk (not to exceed 1/8"). Then apply the spackling putty as outlined above. Reapply the putty as needed for desired appearance.

Use a nail that is appropriate to the style of construction. Do not use staples, brads, or t-nails.

CONDITION	CONDITION
Snug	OK
Flush	OK
Visible fiber	Paint
Countersunk 1/16" - 1/8"	Exterior putty
Countersunk more than 1/8"	Exterior putty & add nail

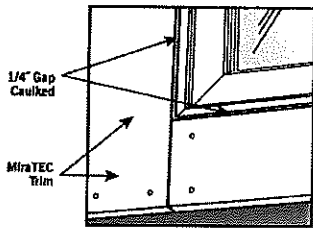
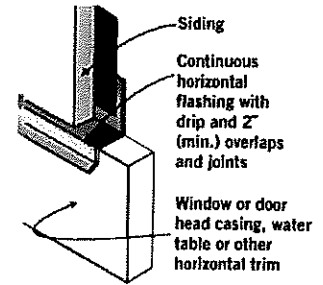
# MIRATEC<sup>®</sup>

Treated Exterior Composite TRIM

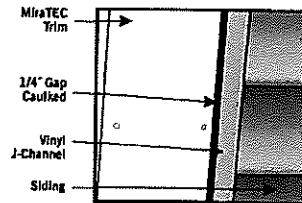
## BORN TO BE BADDEST..

### FLASHING AND MOISTURE CONTROL:

The structure on which MiraTEC trim is applied should be well ventilated and dry. Do not apply MiraTEC trim over wet sheathing, or any closer than 6" to finished grade such as flower beds, mulch, or final landscaping per local building codes. As with all wood products, MiraTEC trim should not come in direct contact with masonry or concrete. At foundations or exterior brick veneer, the product should be separated from the masonry by metal flashing, polyethylene film, 30 lb. felt or a 1/4" to 1/2" air space using masonry standoffs. In all applications, MiraTEC trim should not be allowed to stand in water.



**Windows:** Maintain a min 1/4" gap and fill with caulk where the MiraTEC butts against windows. If the window installation instructions call out a different gap, then default to their published instructions.



**Vinyl J-Channel:** Maintain a min 1/4" gap and fill with caulk where the MiraTEC butts against vinyl j-channel. This applies for both vertical and horizontal applications of trim and j-channel.

Seal the trim applications to prevent water intrusion. Do not allow water to stand on or leak behind any MiraTEC trim. MiraTEC trim used in a horizontal application, including window and door headers, must be properly flashed in accordance with the siding manufacturers', window manufacturers' or door manufacturers' application requirements and local building codes.

### ADHESIVES:

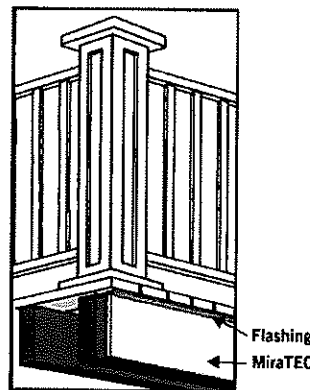
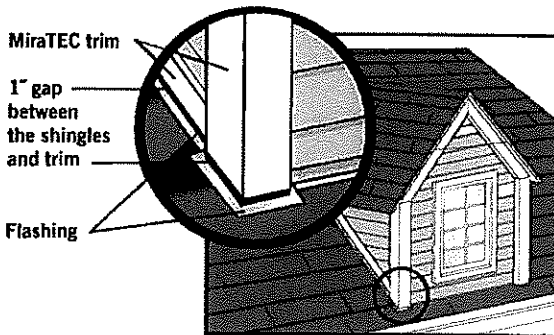
Glues or adhesives can be used on MiraTEC trim, such as on mitered joints for outside corners or column wraps. JELD-WEN, inc. recommends a high quality exterior grade yellow carpenters glue or a high quality polyurethane adhesive.

### SEALANT:

Sealant is required at butt joints and where MiraTEC trim abuts siding, windows, doors or other materials. Use only exterior quality sealant that remains flexible over time. Do not use hard-setting caulk. Apply caulk according to the manufacturer's written instructions. JELD-WEN, inc. recommends caulks and sealants that meet ASTM C920. Do not use Bondo<sup>®</sup> or similar hard setting fillers or putties on MiraTEC trim. They will crack over time due to the natural expansion and contraction of the trim.

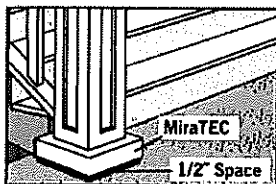
### SPECIFIC APPLICATIONS

For applications near rooflines, such as dormer and chimneys, the trim should be installed with a minimum of 1" clearance between the roofing and the bottom edge of MiraTEC trim. At the junction of the roofing material and vertical surfaces, flashing is required per the roofing manufacturers' application requirements and local building codes.

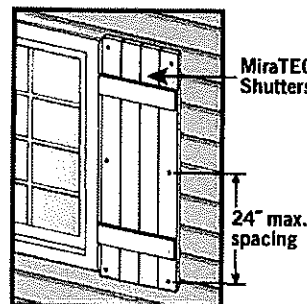


When vertical trim meets flashing at the top of trim or siding, provide a 1/4" clearance from the bottom of the trim to the top of the flashing.

When facing the skirt boards on deck, properly flash the top edge to prevent water from getting behind the trim. As a substitute for flashing, use 1/2" standoffs to provide a space behind the backside of the trim and the deck skirt board.



Properly flash and space at least 1/2" from any concrete flatwork (such as porches, patios, or driveways) or horizontal brick ledge.



MiraTEC trim can be used to make decorative shutters. The shutter must be fastened to the home a minimum of 24" on center around the perimeter of the shutter as shown in the illustration. Working shutters will not be covered by the MiraTEC warranty based on the inability of providing adequate fastening on the non-hinge side of the shutter.

### SURFACE PREPARATION:

The surface to be painted must be free of dust, dirt, mildew and other foreign materials before painting. Wash with water and a mild detergent to remove dust and dirt. Allow the surface to dry before painting. If mildew is present, contact a paint supply store for recommended methods of removing and controlling mildew.

### GENERAL INFORMATION:

Paint performance is dependent upon the quality and quantity of paint applied, and the conditions under which it is applied. Low quality paint and/or thinly applied paint tends to last for a relatively short time, resulting in discoloration, premature fading, inadequate substrate protection, and frequent repainting (sometimes as often as annually or once every two years). Top quality paint, applied in sufficient quantity, will provide the best performance with minimum maintenance. **Follow the coating manufacturer's recommendations when selecting and applying a paint. Refer to the MiraTEC trim warranty for long term care and maintenance guidelines of MiraTEC trim.**

### PAINTING/FINISHING REQUIREMENTS:

MiraTEC trim is manufactured from wood and must be painted with an exterior coating system in accordance with the following specifications to fulfill the warranty requirements.

Use a high quality exterior grade acrylic latex paint or oil/alkyd solvent based paint system recommended by the paint manufacturer for application over composite wood substrates. Always follow the paint manufacturer's recommendations for the application and maintenance of field applied paints. The following topcoats are not recommended by JELD-WEN, inc. nor most paint manufacturers because of short service life, poor protection against UV light, and higher potential for performance problems:

Shake and shingle paints	Vinyl acrylic paint	Transparent or semi-transparent stains
Flat oil paint	Vinyl acetate paint	Opaque solvent stains
Vinyl acetate co-polymer paint	Clear coatings	

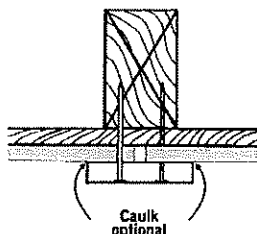
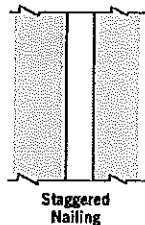
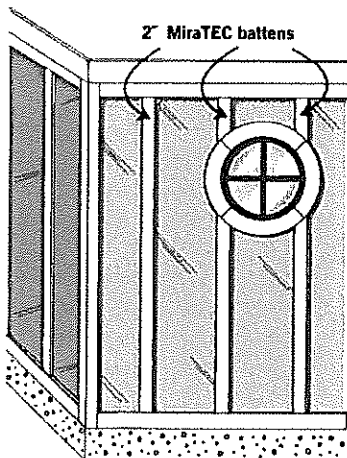
### PAINT APPLICATION:

1. Prime all exposed field-cut edges of MiraTEC trim and also topcoat those edges which will be exposed to the weather. Use a high quality exterior primer formulated for use on composite wood. All cut or raw edges should be primed within 30 days of installation.
2. Coat all exposed surfaces including the bottom edge.
3. Finish MiraTEC trim with two coats of paint within 90 days of installation. If, due to unforeseen circumstances, the material is not painted within 90 days, reprime the MiraTEC trim using an exterior primer that is specifically recommended for use on composite wood products and is compatible with the topcoat to be used. Use the same primer for repair of any damage to the original factory-applied primer.
4. A total field-applied dry film paint thickness of a minimum of 2½ mils is required on MiraTEC trim. This requires the application of two or more unthinned coats of paint at the spread rate recommended by the paint manufacturer. **Note: The paint manufacturer may require a primer and topcoat combination. Follow all paint manufacturers' recommendations.**
5. Paint performance can be impacted by ambient temperature and the time of day the paint is applied. Contact your paint supply source for more information on applying the coating for maximum results. Most companies can be contacted via a toll free number or website for specific information. Consult your retail store for information.

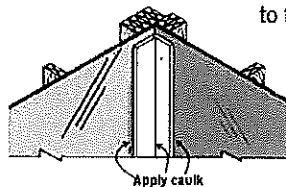
**JELD-WEN, Inc. is not responsible for the performance of field applied finishes. Finish performance is dependent upon coating quality and application methods. These factors are controlled by the finish manufacturer and applicator.**

### BOARD AND BATTEN APPLICATION

MiraTEC trim is not approved for use as a cladding or siding product. However, the 2" MiraTEC batten product is acceptable for use in a board and batten application. 2" MiraTEC batten can be applied directly on top of the board material, including but not limited to: fiber cement products, composite wood, and other wood products.



- Battens should fall over framing members. The required nailing pattern is single nails 12" on center, staggered pattern. Nails should be of sufficient length to have 1 ¼" penetration into the framing member.
- Vertical battens do not need to be caulked. The board butt joint behind the batten should be treated per the siding manufacturers' recommendations.
- Battens can also be screwed into boards and sheathing over framing members. Screw type should be a minimum of a 6 mm head with full thread penetration into the board or minimum of 3/4" into the framing member. The required screw pattern is single screws 12" on center, staggered pattern.



- A combination of nails and glue can also be used to fasten 2" MiraTEC batten.
- Treat all other applications per the full MiraTEC Application Instructions, such as inside and outside corners, butt joints and horizontal applications.

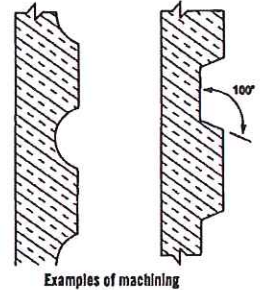
# MIRATEC®

Treated Exterior Composite TRIM

**BORN TO BE BADDEST..**

## MACHINING:

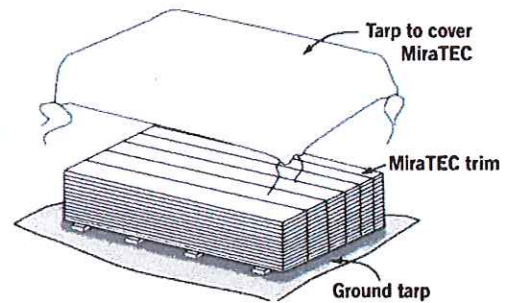
MiraTEC trim can be grooved or machined to produce a variety of decorative applications. The machined profile should not compromise the physical integrity of the board or induce cracking or splitting of the product. Routed or grooved MiraTEC trim should not have any flat surfaces where water can accumulate. Maintain an angle of at least 100 degrees from the vertical to provide positive drainage and to prevent moisture from standing on the surface. Re-prime all machined areas with a high quality exterior oil or acrylic latex primer formulated for composite wood. JELD-WEN, inc. recommends using an oil-based primer.



## STORAGE:

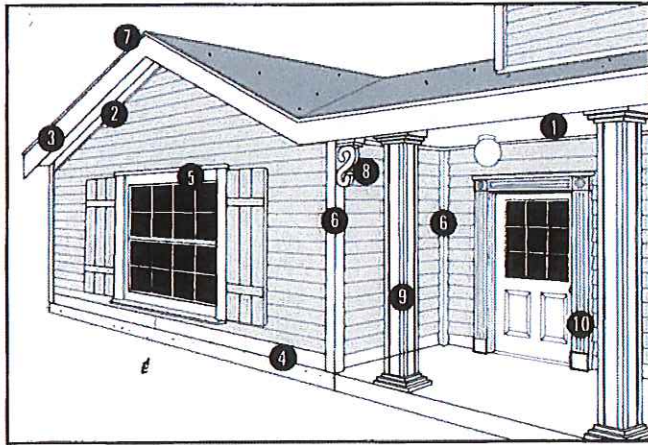
Cover when stored outside. Keep MiraTEC trim off the ground and dry. Excessive moisture pickup from improper storage may affect the performance of MiraTEC trim. Do not stack material in excess of 3 units high.

For job site storage, the material should be placed on stringers and covered, preferably on concrete, asphalt, or a similar surface. For all other instances, a tarp should be placed over the ground cover under the stringers, with the material still under cover.



## TYPICAL TRIM USES:

MiraTEC trim can be used in a variety of applications as noted below.



- 1 Soffit
- 2 Frieze board
- 3 Fascia (use 5/8" trim for fascia)
- 4 Belly band or band board
- 5 Window trim
- 6 Corner board
- 7 Rake board or shingle mold
- 8 Architectural porch detail
- 9 Column wrap
- 10 Fluted door casing



**IMPORTANT:** Read and understand all application instructions before installing material. The statements expressed in this technical bulletin are the recommendations for the application of the products as outlined and illustrated under normal conditions of installation. JELD-WEN, inc. is a manufacturer of building materials. It does not practice architecture or engineering. The recommendations provided in this bulletin represent JELD-WEN, inc.'s best judgement based on its experience to date with normal applications. These instructions supplement standard building practices and building code requirements; they are not to be deemed exclusive or exclusionary of these practices and requirements. Unless prior approval is obtained in writing from the Product Performance Department of JELD-WEN, inc., PO Box 311, Towanda, PA 18848, any deviation from these recommended procedures shall be at the risk of the installers.

These application instructions are the minimum requirements for the storage, application, and finishing of the trim products manufactured by JELD-WEN, inc. Where building code requirements or standards are more restrictive, the applicable regulations must be followed. Consult your local representative or the Product Performance Department for conditions not covered by this bulletin. All drawings are shown for illustration purposes only and are not to scale. Adequate design and bracing of the walls, as well as compliance with these application instructions, are the responsibility of the architect, builder, applicator and painter.

1.800.255.0785  
miratectrim.com

**JELD-WEN**  
WINDOWS & DOORS



ENVIRONMENTAL  
CLAIMS  
VALIDATION  
by SCS Global Services

NO ADDED UREA  
FORMALDEHYDE

920 4/15